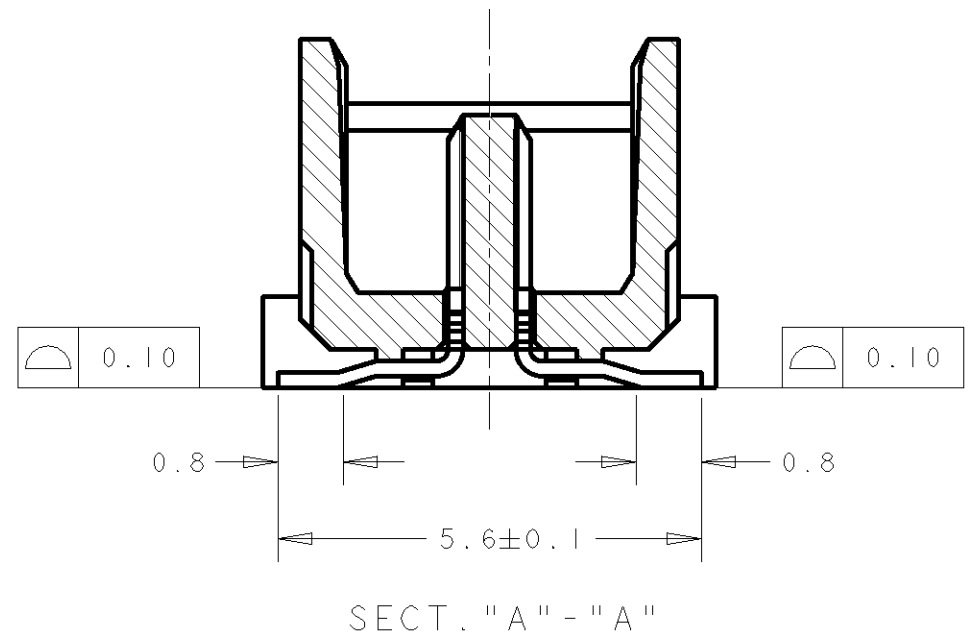
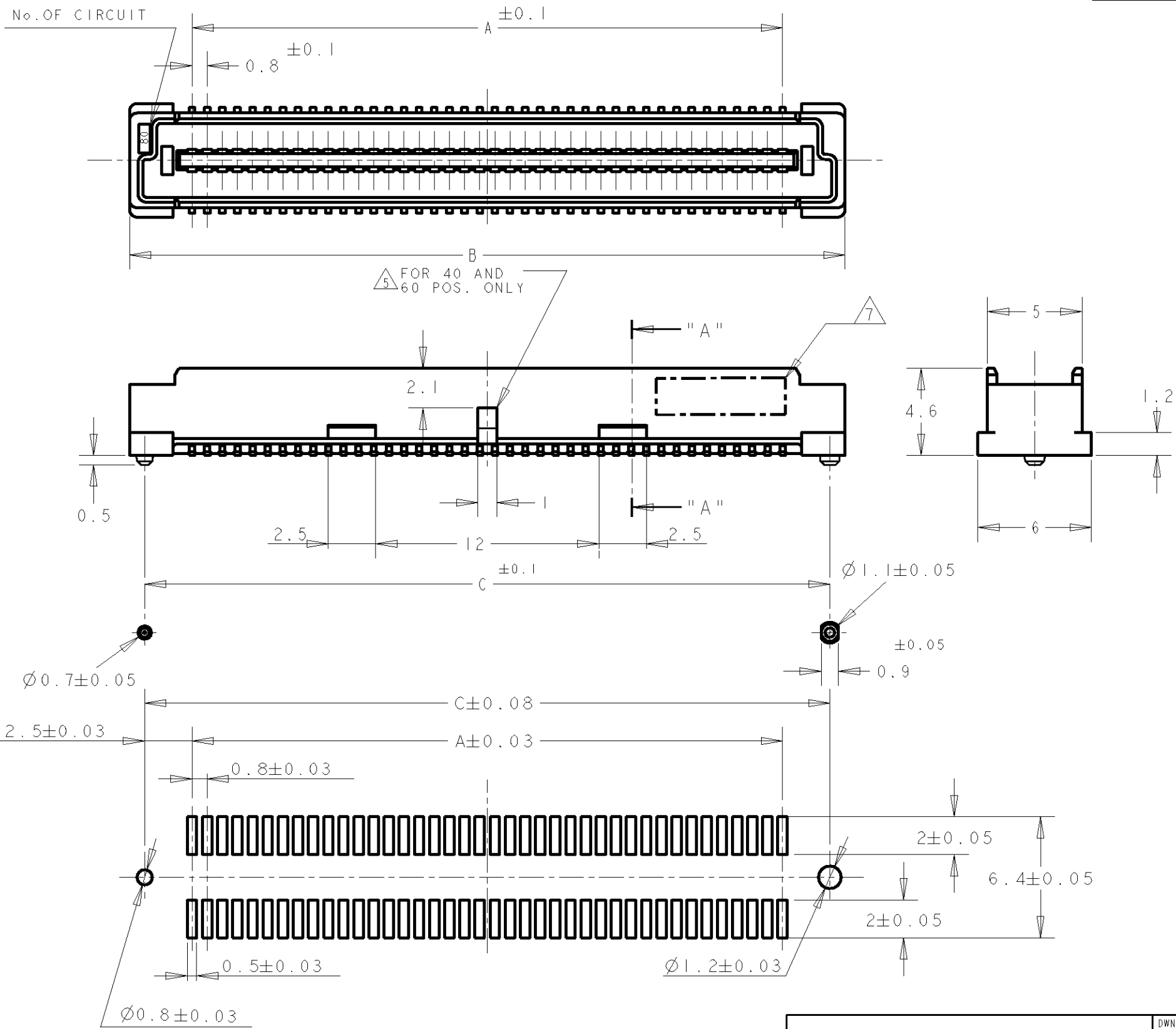


| LOC | DIST | REVISIONS |     |                           |         |     |      |
|-----|------|-----------|-----|---------------------------|---------|-----|------|
| DY  | -    | P         | LTR | DESCRIPTION               | DATE    | DWN | APVD |
|     |      | A2        |     | REVISED PER ECO-11-005139 | 19MAR11 | RK  | HMR  |



- NOTES:
- 1 MATERIAL: HOUSING: L.C.P. (HIGH TEMP THERMO PLASTIC)  
UL 94V-0, NATURAL.  
CONTACT: BRASS.
  - 2 FINISH: UNDERPLATE: 0.0013 MIN NICKEL ALL OVER.  
ENGAGEMENT AREA: 0.0002 MIN GOLD.  
SOLDERING AREA: 0.002 MIN MATTE-TIN.
  - 3. POSITION SERIES: SEE TABLE.
  - 4. CONN STACK HEIGHT COMBINE OF PLUG "Y" H VS REC "X" H.  
STACK HEIGHT = Y + X - 5
  - 5 CUTOUT FEATURE AVAILABLE ONLY ON P/N -1 (40P)  
AND -2 (60P).
  - 6 FINISH: UNDERPLATE: 0.0013 MIN NICKEL ALL OVER.  
ENGAGEMENT AREA: 0.00038 MIN GOLD.  
SOLDERING AREA: 0.002 MIN MATTE-TIN.
  - 7 DATECODE MARKING.

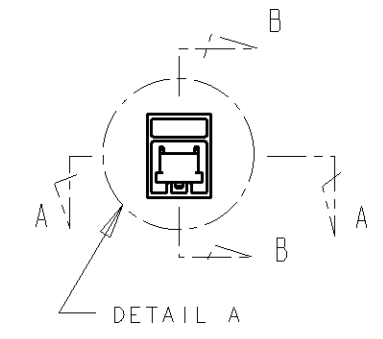
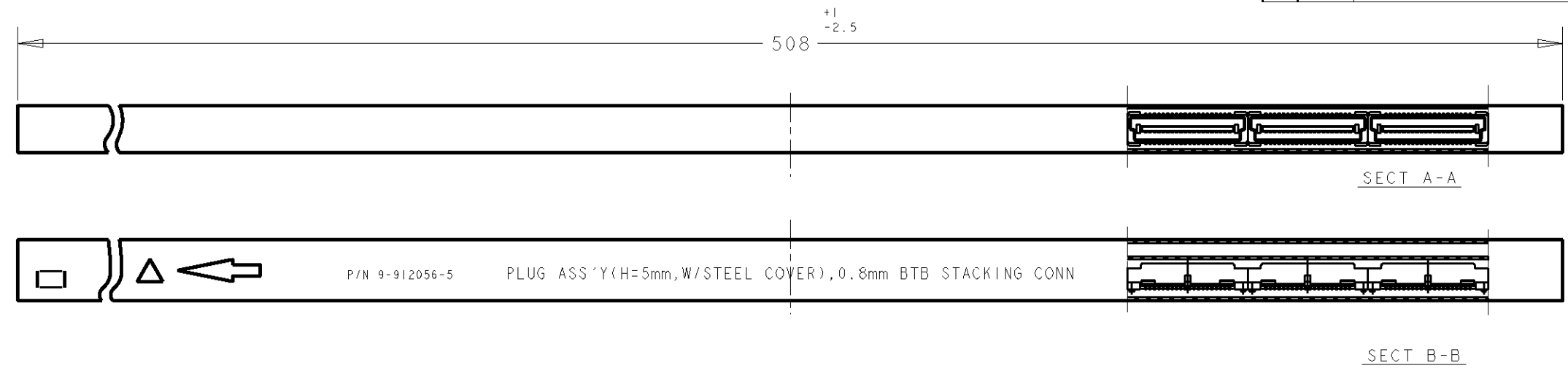
P/N SEE SHEET 2 OF 2.

RECOMMENDED P.C. BOARD LAYOUT

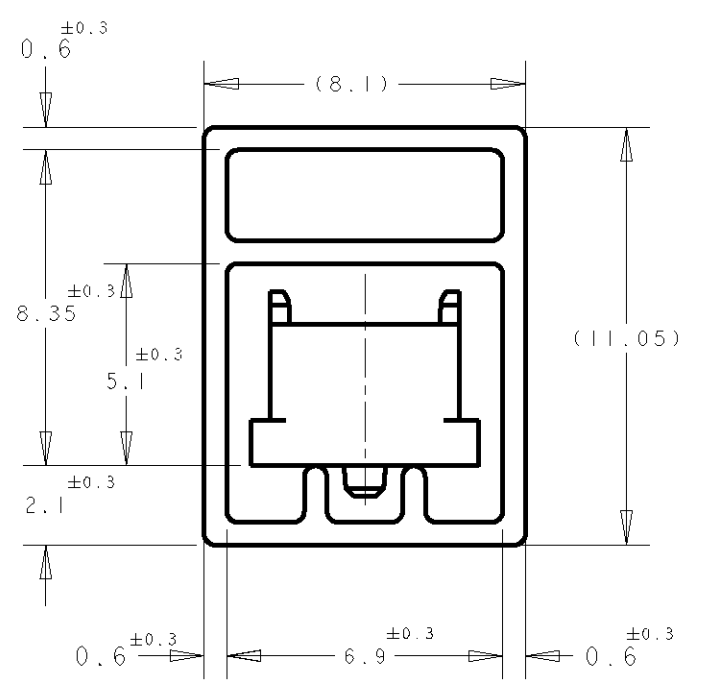
|                   |  |   |  |                              |  |                               |  |
|-------------------|--|---|--|------------------------------|--|-------------------------------|--|
| DIMENSIONS:<br>mm |  | TOLERANCES UNLESS OTHERWISE SPECIFIED:  |  | DWN 30AUG04<br>FLORENCE TAN  |  | TE Connectivity               |  |
|                   |  | 0 PLC ±-<br>1 PLC ±0.30<br>2 PLC ±0.25<br>3 PLC ±0.20<br>4 PLC ±-<br>ANGLES ±3° |  | CHK ERIC TNG                 |  |                               |  |
| MATERIAL          |  | FINISH<br>SEE TABLE P/N   |  | APVD SF JFONG                |  | SIZE                          |  |
|                   |  |   |  | PRODUCT SPEC<br>108-5390     |  | CAGE CODE                     |  |
|                   |  |   |  | APPLICATION SPEC<br>114-5254 |  | DRAWING NO                    |  |
|                   |  |   |  | WEIGHT<br>-                  |  | A3 00779                      |  |
|                   |  |   |  | CUSTOMER DRAWING             |  | C=5177984                     |  |
|                   |  |   |  |                              |  | SCALE 4:1 SHEET 1 OF 2 REV A2 |  |

THIS DRAWING IS UNPUBLISHED. RELEASED FOR PUBLICATION .19 .  
 © COPYRIGHT - BY - ALL RIGHTS RESERVED.

| LOC | DIST | REVISIONS |     |                  |      |     |      |
|-----|------|-----------|-----|------------------|------|-----|------|
| DY  | -    | P         | LTR | DESCRIPTION      | DATE | DWN | APVD |
|     |      | -         |     | SEE SHEET 1 OF 2 | -    | -   | -    |



REFERENCE PICTURE OF TUBE PACK



DETAIL A

|              |              |      |      |      |      |          |    |
|--------------|--------------|------|------|------|------|----------|----|
| 15Au-Sn<br>6 | 5            | 84.2 | 85.8 | 79.2 | 200  | 3-       | -0 |
|              | 6            | 76.2 | 77.8 | 71.2 | 180  | 2-       | -9 |
|              | 6            | 68.2 | 69.8 | 63.2 | 160  | 2-       | -8 |
|              | 7            | 60.2 | 61.8 | 55.2 | 140  | 2-       | -6 |
|              | 9            | 52.2 | 53.8 | 47.2 | 120  | 2-       | -5 |
|              | 10           | 44.2 | 45.8 | 39.2 | 100  | 2-       | -4 |
|              | 12           | 36.2 | 37.8 | 31.2 | 80   | 2-       | -3 |
|              | 16           | 28.2 | 29.8 | 23.2 | 60   | 2-       | -2 |
|              | 22           | 20.2 | 21.8 | 15.2 | 40   | 2-       | -1 |
|              | 08Au-Sn<br>2 | 5    | 84.2 | 85.8 | 79.2 | 200      | 1- |
| 6            |              | 76.2 | 77.8 | 71.2 | 180  |          | -9 |
| 6            |              | 68.2 | 69.8 | 63.2 | 160  |          | -8 |
| 7            |              | 60.2 | 61.8 | 55.2 | 140  |          | -6 |
| 9            |              | 52.2 | 53.8 | 47.2 | 120  |          | -5 |
| 10           |              | 44.2 | 45.8 | 39.2 | 100  |          | -4 |
|              | 12           | 36.2 | 37.8 | 31.2 | 80   |          | -3 |
|              | 16           | 28.2 | 29.8 | 23.2 | 60   |          | -2 |
|              | 22           | 20.2 | 21.8 | 15.2 | 40   |          | -1 |
| FINISH       | QTY/TUBE     | C    | B    | A    | POS. | CONN P/N |    |

|                   |  |   |  |                              |  |                            |  |
|-------------------|--|---|--|------------------------------|--|----------------------------|--|
| DIMENSIONS:<br>mm |  | TOLERANCES UNLESS OTHERWISE SPECIFIED:  |  | DWN 30AUG04<br>FLORENCE TAN  |  | <b>STE</b> TE Connectivity |  |
|                   |  | 0 PLC ±-<br>1 PLC ±0.30<br>2 PLC ±0.25<br>3 PLC ±0.20<br>4 PLC ±-<br>ANGLES ±3° |  | CHK ERIC TNG                 |  |                            |  |
| MATERIAL          |  | FINISH<br>SEE TABLE P/N   |  | APVD SF JFONG                |  | DRAWING NO<br>5177984      |  |
|                   |  |   |  | PRODUCT SPEC<br>108-5390     |  | SIZE<br>A3                 |  |
|                   |  |   |  | APPLICATION SPEC<br>114-5254 |  | CAGE CODE<br>00779         |  |
|                   |  |   |  | WEIGHT<br>-                  |  | SCALE -                    |  |
|                   |  |   |  | CUSTOMER DRAWING             |  | SHEET 2 OF 2               |  |
|                   |  |   |  |                              |  | REV A2                     |  |